

PIVOTA®
FX Series

Concealed hinges
for rebated doors

Invisible reality

Hidden from view but extremely effective -
innovative solutions from BaSys



PIVOTA® FX Series – Puristic look

and technology which works unnoticed in the background are today's guidelines for the design of things of our everyday life.

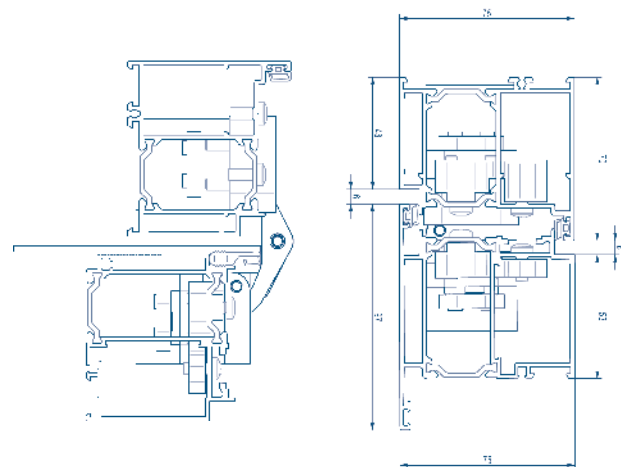
Doors and the corresponding fitting technology also follow this trend.

After BaSys has influenced and supported this trend as the first German manufacturer of fitting systems with the help of the concealed hinges for flush doors (PIVOTA® DX), we have also focussed with several product innovations on rebated doors – since 2007.

In this regard „rebated doors“ can be found in following applications for the product family PIVOTA® FX:

- The wide spread wooden door with normative rebate and 40 mm thickness
- Wooden door elements with distinctly bigger thickness than 40 mm
- Door elements made of aluminium profile
- Door elements made of steel profile

Due to the differences of application, our answers and solutions are also quite diverse. Therefore the product series PIVOTA® FX consists of several different models with very individual characteristics:



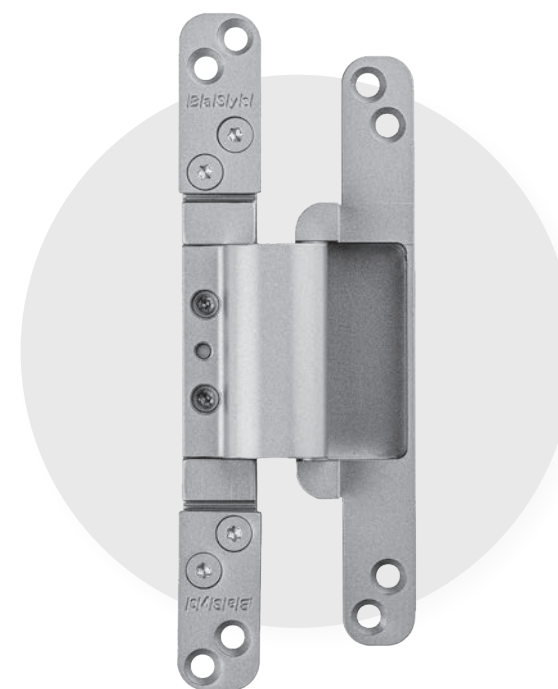
PIVOTA® FX1 100 3-D and PIVOTA® FX1 150 3-D (Photo on title page)

The models for high load capacity within the product series offer a normative load of 120 kg, respectively 160 kg per pair. Their application is very universal and covers thick wooden doors (door leaf thickness of 68 mm or more), aluminium profile door elements as well as steel profile door elements.

Due to the high variety of section geometries, especially for door elements made of aluminium or steel profile, the suitability of these hinge models needs to be technically investigated for each profile. Apart from the general suitability, we need to take a deep look into the fixation of the hinges in the profiles as well.

PIVOTA® FX1 100 3-D und PIVOTA® FX1 150 3-D show following characteristics:

- completely concealed
- load capacity: 120 or 160 kg per pair
- 3-dimensionally adjustable
- maintenance-free bearing for long life time



PIVOTA® FX2 80 3-D

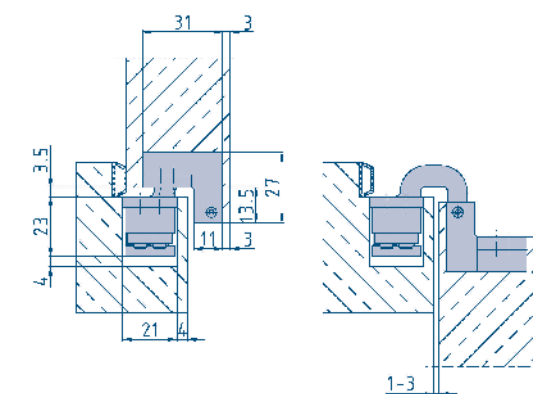
With this model, all three adjustment dimensions, the height adjustment (+/- 3 mm), the pressure of the seal (+/- 1 mm) and now also the side gap adjustment (+/- 3 mm) are located in the frame part of the hinge. The leaf part of the new model no longer moves during adjustment and remains concealed – when viewed from the outside and when the door is closed.

PIVOTA® FX2 80 3-D offers following characteristics:

- concealed
- load capacity: 80 kg per pair
- 3-dimensionally adjustable
- maintenance-free bearing for long life time



PIVOTA® FX2 80 3-D Design





BaSys product world

From a single source


Made in Germany

Under this brand name we develop, produce and market the complete fittings range for well-known manufacturers in the German and European door and frame industry, as well as for international trade and industry customers. Alongside this main focus, our product range is

complemented by high quality furniture fittings and specially developed functional hinges, including for anti-burglary, fire protection and noise insulation applications.

PIVOTA® – Concealed hinge systems

OBJECTA® – Hinge systems for commercial property doors

STABILO® – Striking-plate systems

COMBICA® – Hinge systems for apartment doors

MASTERBAND – Hinge systems for front doors

B|a|S|y|s|
Bartels Systembeschläge GmbH

FITTINGS WITH IDEAS

Bartels Systembeschläge GmbH

Gewerbegebiet Echternhagen 2
32689 Kalletal

Tel.: +49 (0) 5264 6473-0

Fax: +49 (0) 5264 6473-30

vertrieb@basys.biz

www.basys.biz