

PIVOTA®

DX Glass

Concealed hinge technology for glass doors

- All load-bearing capacities
- All finishes
- Maintenance-free
- 3-dimensionally adjustable
- Clean look with magnetic covers (no visible screws)
- Standard design approach for wooden and glass doors

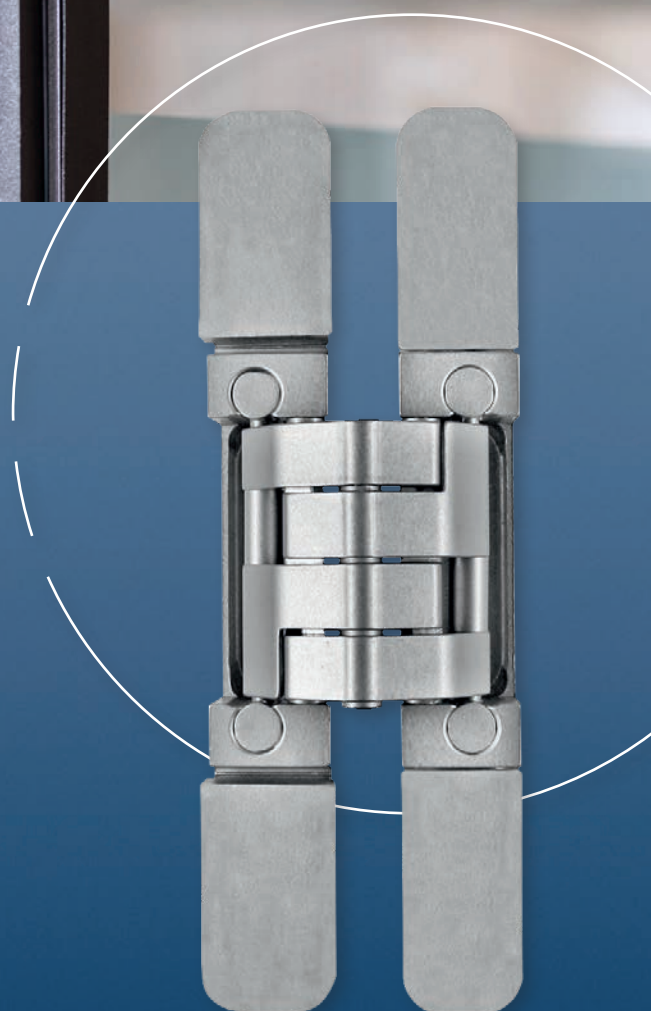


Photo: The Design Patrick Banasik, Gemünden



PIVOTA® DX Glass

Concealed hinge system for glass doors

Concealed door hinges are setting the trend. The fitting technology should be as invisible as possible and produce a neat look. This is all the more important when glass comes into play as a door material. BaSys has expanded its „**PIVOTA® DX Glass**“, developed for glass doors, to create a system which is suitable for commercial projects. Together with the lock as well as lock retainer and handle, the hinge with hinge retainer forms a unit. The components are designed to match each other and can fit flush with the frame and face.

With „**PIVOTA® DX Glass**“, BaSys is adapting the CE-certified and proven technology of its concealed hinges for use with hinged glass doors, with no ifs or buts. The hinge is suitable for standard frames and can be mounted in the proven way – without changing the frame’s geometry. The frame part disappears in the frame and the leaf part in a retainer which is permanently fixed to the glass door with the help of screws.

The retainer surrounding the leaf part of the hinge is coordinated with the frame size. Made of solid aluminium, it provides many different options for finishing the

surface to match its design to the fitting and the lock case which both are applicable to commercial projects with heavy usage. Magnetically attached top covers ensure a screw-free look.

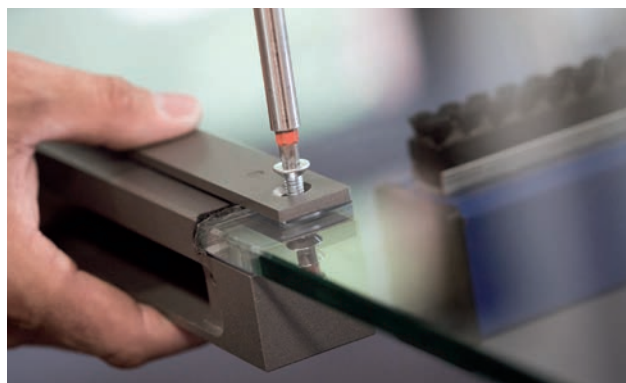
In developing the „**PIVOTA® DX**“ product range, BaSys has created a full line of concealed hinges. With loadbearing capacities of 40 to 350 kilograms per pair, it covers the entire door spectrum. Doors can be opened up to 180 degrees with the aid of the hinge which is 3-dimensionally adjustable and equipped with maintenancefree bearings. The centrepiece of the hinge series is the patented design principle with a symmetrical fourknuckle joint that transmits the forces from the door leaf evenly to the frame.

Different door load-bearing capacities can be catered for thanks to the material hybrids with identical cutout hinge dimensions. BaSys uses only steel, stainless steel and aluminium and, depending on the requested load-bearing capacity, balances the use of these materials in hybrid technology: the greater the weight of the door, the higher the share of steel components used.

INSTALLATION

Easy and secure

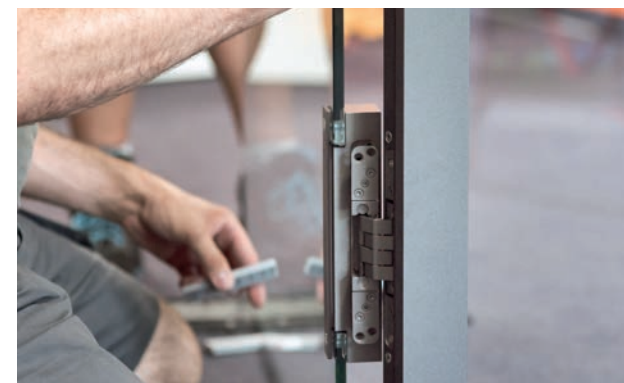
1/ The specified recessed cutout in the glass door leaf is protected by a self-adhesive felt strip. This is glued on all round at the front.



2/ The hinge retainer is fitted in the glass door leaf in which a recess has been prepared. The plastic spacers supplied are inserted between the door leaf and the metal components of the hinge retainer. They protect the glass and increase the clamping friction.



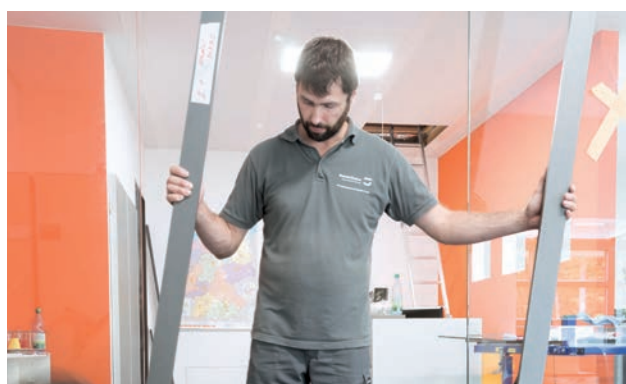
3/ The lock case is fitted in the prepared recess. Once again, the glass is protected by plastic spacers and felt strips.



6/ The prepared door leaf is hung.



7a/ The hinge is screwed to the hinge retainer. The door leaf is then adjusted in place in the hinge with the aid of the three-dimensional adjustment facility.



4/ The frame, in this case an aluminium frame, is put in place and accurately aligned.



5/ The concealed hinges are inserted into the frame and screwed in.



7b/ Magnetic design covers to match the finish ensure a neat, screw-free look and a harmonious overall appearance.



8/ The door handle and lock are fitted to the lock case.

Photos: Patrick Hamacher, PHOTOGRAPHIE, Würzburg



The QR-code leads to the assembly video at <https://www.basys.biz/en/video/1326> | Source: Glaskeil



Photo: The Design Patrick Banasik, Gemünden



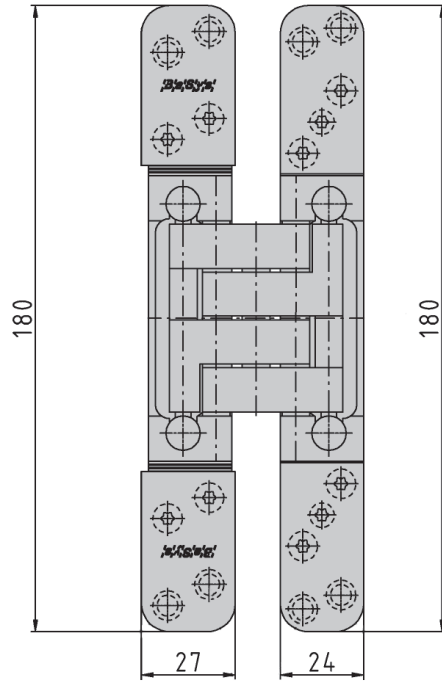
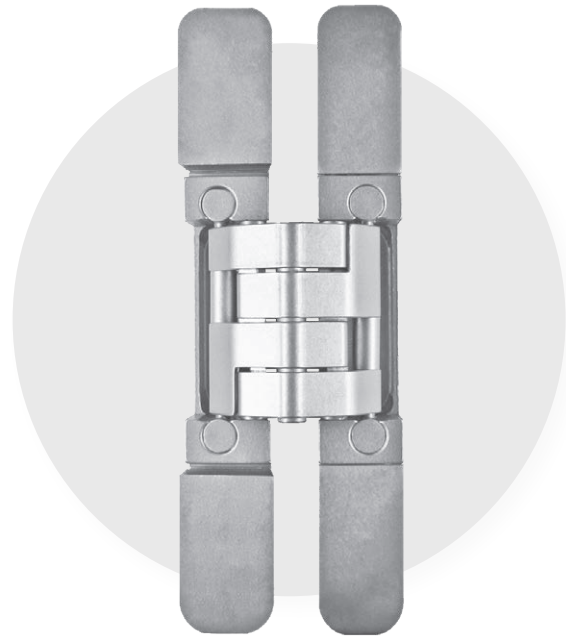
Photo: Patrick Hamacher, PH.OTOGRAPHIE, Würzburg



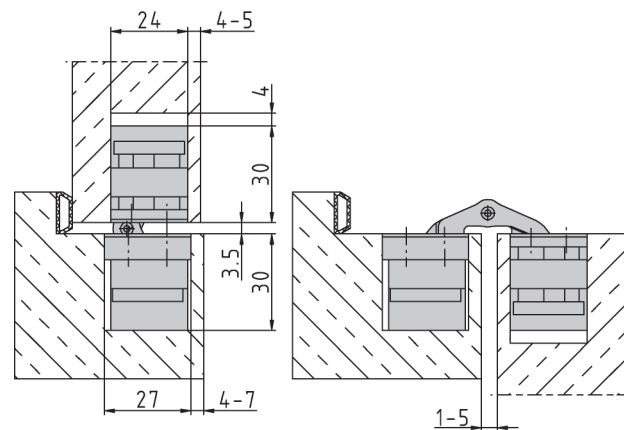
Photo: The Design Patrick Banasik, Gemünden

Photo: Patrick Hamacher, PH.OTOGRAPHIE, Würzburg

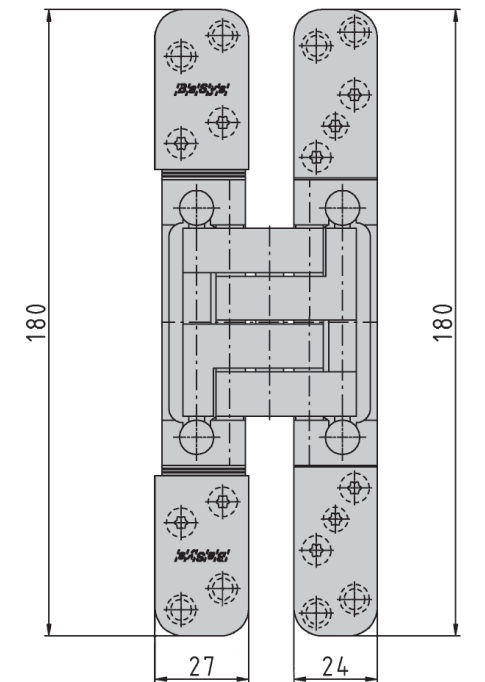
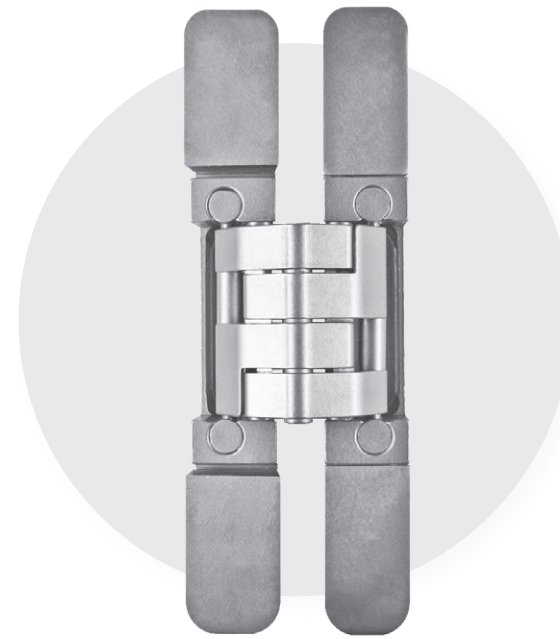
PIVOTA® DX 60 3-D „Design“



- Standard load:** Door weight 100 kg (per pair)
- Application:** Flush doors, when the door is closed the hinge is **invisible**; 3-dimensional adjustment, maintenance-free bearings; screw-free look thanks to magnetic top covers
- Accessories:** **PIVOTA® DX** safety plates for casing frames or steel frames; cutout template
- Note:** Includes fixing screws



PIVOTA® DX 100 3-D „Design“



- Standard load:** Door weight 120 kg (per pair)
- Application:** Flush doors, when the door is closed the hinge is **invisible**; 3-dimensional adjustment, maintenance-free bearings; screw-free look thanks to magnetic top covers
- Accessories:** **PIVOTA® DX** safety plates for casing frames or steel frames; cutout template
- Note:** Includes fixing screws

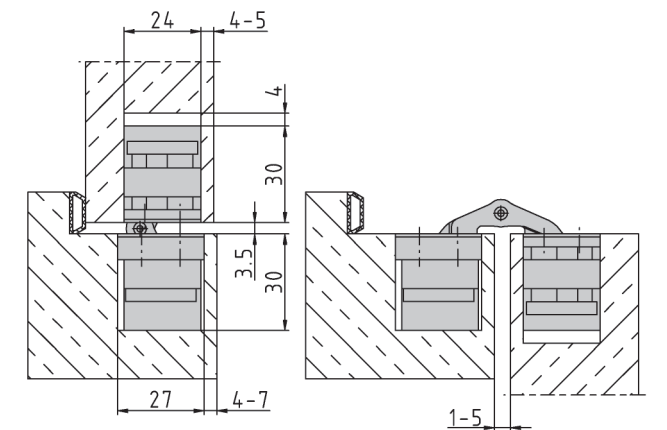


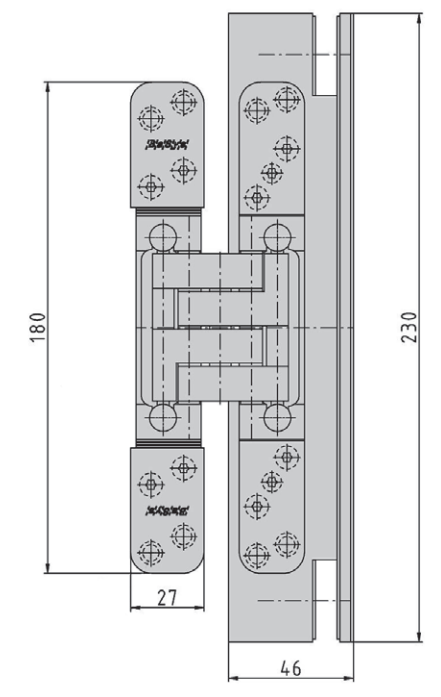
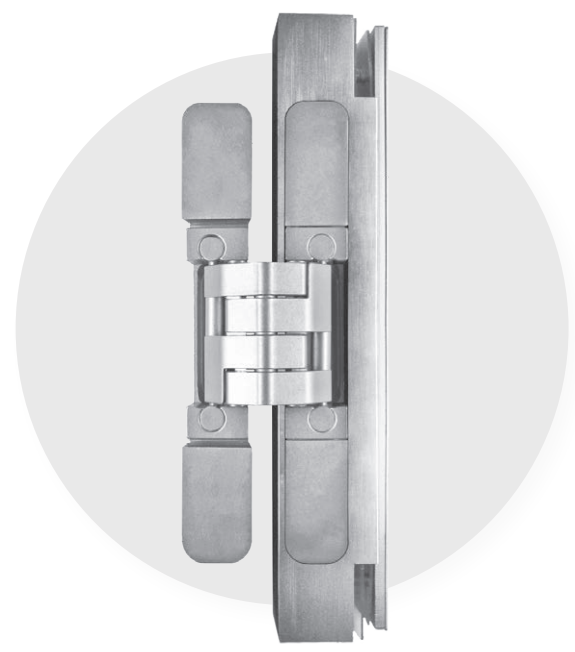


Photo: Patrick Hamacher, PHOTOGRAPHIE, Würzburg



Photo: Patrick Hamacher, PHOTOGRAPHIE, Würzburg

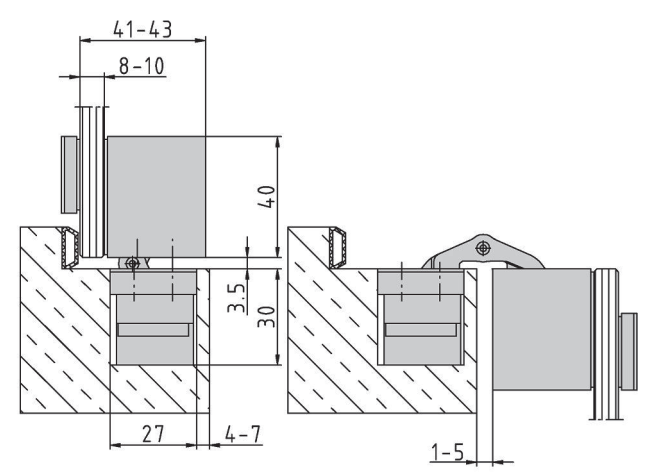
PIVOTA® DX 60/100 3-D „Glass“ hinge retainer



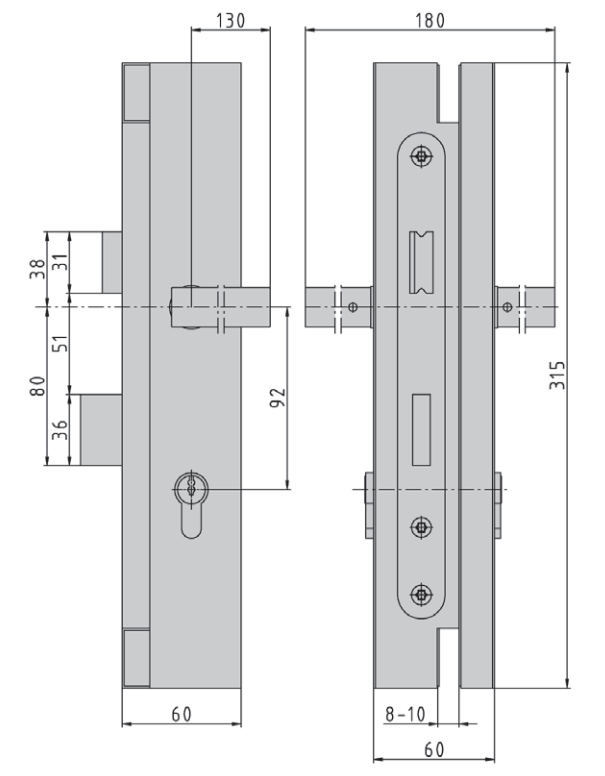
Application: Glass doors, hinge retainer ensures secure attachment to door leaf; when the door is closed the hinge is **invisible**

Note: Includes fixing screws

Combination: PIVOTA® DX 60 3-D
PIVOTA® DX 100 3-D
PIVOTA® DXS 100 3-D „Steel“
PIVOTA® DXE 100 3-D „Enox“



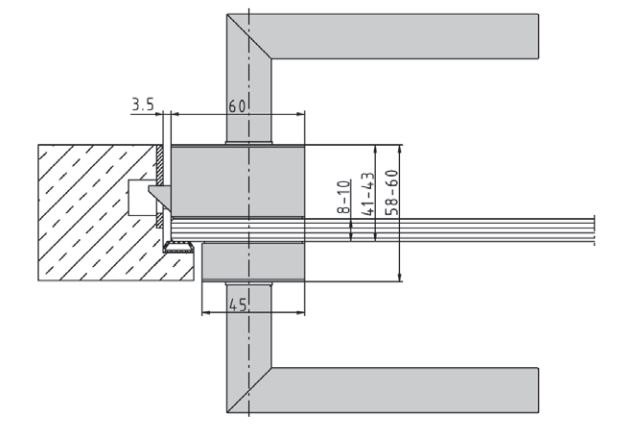
PIVOTA® „Glass“ lock case assembly



Application: For glass doors in flush frames; suitable for 8-10 mm glass thickness (ESG)

Note: Includes fixing screws, mortise lock, profile cylinder and latch

Combination: PIVOTA® DX 60/100 3-D „Glass“ hinge retainer





BaSys product world

From a single source


Made in Germany

Under this brand name we develop, produce and market a comprehensive fittings range for well-known manufacturers in the German and European door and frame industry, as well as for international trade and industry custo-

mers. Alongside this main focus, our product range is complemented by high quality furniture fittings and specially developed functional hinges, including for anti-burglary, fire protection and noise insulation applications.

PIVOTA® – Concealed hinge systems

OBJECTA® – Hinge systems for commercial property doors

STABILO® – Striking-plate systems

COMBICA® – Hinge systems for apartment doors

MASTERBAND – Hinge systems for front doors

Cover photo: Patrick Hamacher, PHOTOGRAPHIE, Würzburg

B|a|S|y|s|
Bartels Systembeschläge GmbH

FITTINGS WITH IDEAS

Bartels Systembeschläge GmbH

Gewerbegebiet Echternhagen 2
32689 Kalletal

Tel.: +49 (0) 5264 6473-0

Fax: +49 (0) 5264 6473-30

vertrieb@basys.biz

www.basys.biz