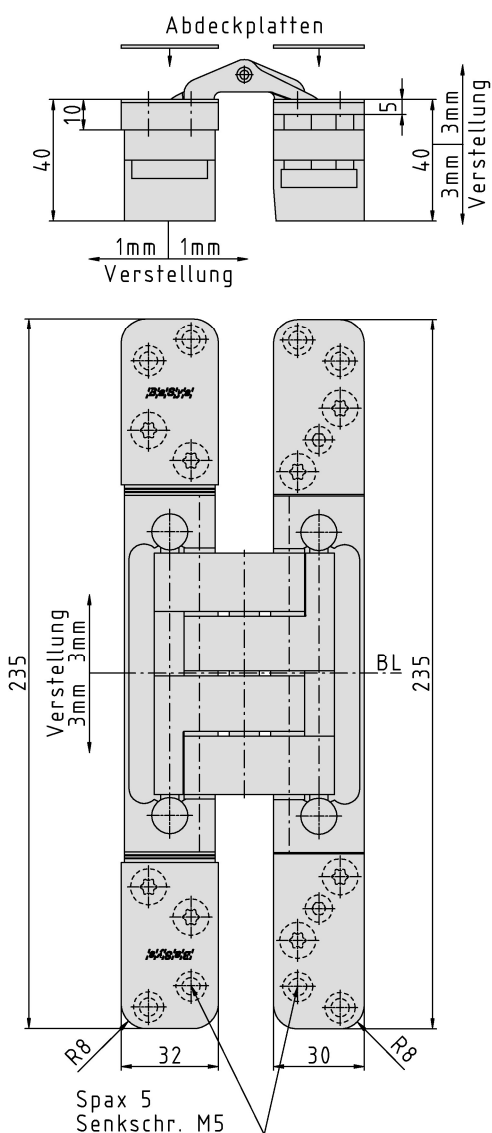


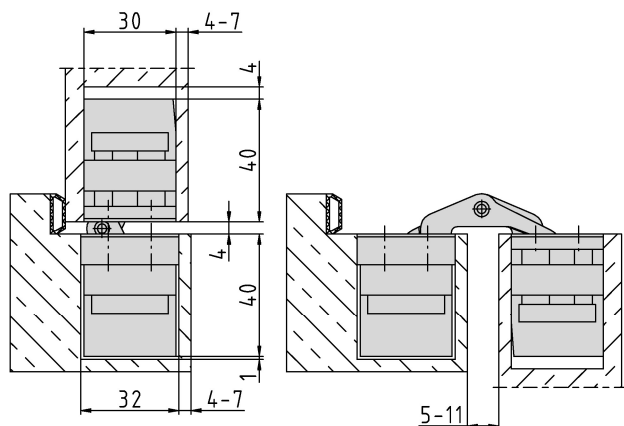
PIVOTA® DX 190 3-D "Design"



Additional Information

Standard load: Maximum door weight 200 kg (per pair)
 Application: Concealed hinge for non-rebated doors, hinge leaves are mortised into frame and door; 3-dimensional adjustability, maintenance-free bearings; magnetically fixed cover plates for optics free-of-screws
 Accessories: PIVOTA® DX safety plate for frame part, retainer for casing or steel frames

Section Drawing



Certified according to



Item	Finish	PU
039597	satin nickel plated	1
040848	Alu Look F1	1
040889	simulated SS	1