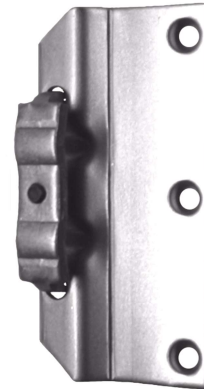
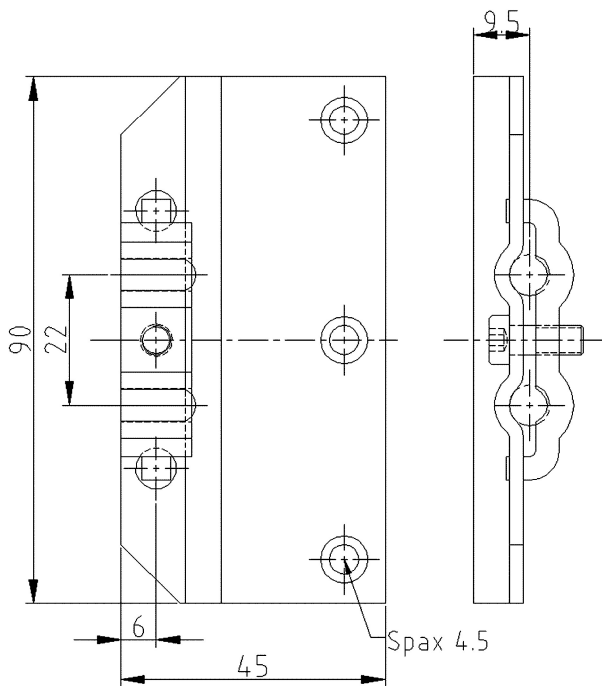


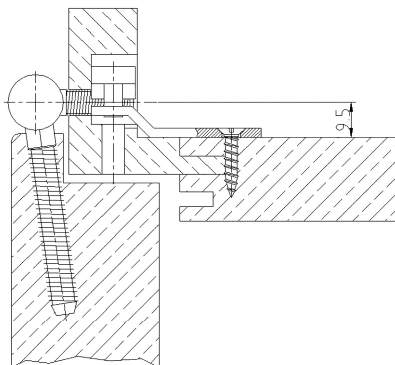
Steel Receiver ST10-45



Additional Information

- Standard load: Maximum door weight 35 kg (per pair)
(if bushing according to catalogue page 07.40 f. is used)
- Application: Wood frames, closed frames with small mounting depth, for example renovation frames
- Combination: COMBICA® frame parts 1534, 1544, 2641, 2941

Section Drawing



Item	Finish	PU Bemerkung
036767	without finish	100 Stahltasche ST10/9,5/45